

REVISIONS			
REV	DESCRIPTION	DATE	APPROVED

NOTES:

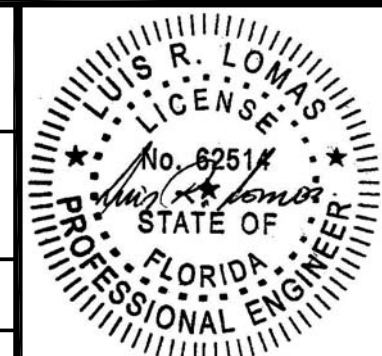
1. THE PRODUCT SHOWN HEREIN IS DESIGNED AND MANUFACTURED TO COMPLY WITH REQUIREMENTS OF THE FLORIDA BUILDING CODE.
2. WOOD FRAMING AND MASONRY OPENING TO BE DESIGNED AND ANCHORED TO PROPERLY TRANSFER ALL LOADS TO STRUCTURE. FRAMING AND MASONRY OPENING IS THE RESPONSIBILITY OF THE ARCHITECT OR ENGINEER OF RECORD.
3. 1X BUCK OVER MASONRY/CONCRETE IS OPTIONAL.
4. WHERE SHIM OR BUCK THICKNESS IS LESS THAN 1-1/2" UNITS MUST BE ANCHORED THROUGH THE FRAME IN ACCORDANCE WITH MANUFACTURER'S PUBLISHED INSTALLATION INSTRUCTIONS. ANCHORS SHALL BE SECURELY FASTENED DIRECTLY INTO MASONRY, CONCRETE OR OTHER STRUCTURAL SUBSTRATE MATERIAL.
5. WHERE WOOD BUCK THICKNESS IS 1-1/2" OR GREATER, BUCK SHALL BE SECURELY FASTENED TO MASONRY, CONCRETE OR OTHER STRUCTURAL SUBSTRATE. UNITS MAY BE ANCHORED THROUGH FRAME TO SECURED WOOD BUCK IN ACCORDANCE WITH MANUFACTURER'S PUBLISHED INSTALLATION INSTRUCTIONS.
6. WHERE 1X BUCK IS NOT USED DISSIMILAR MATERIALS MUST BE SEPARATED WITH APPROVED COATING OR MEMBRANE. SELECTION OF COATING OR MEMBRANE IS THE RESPONSIBILITY OF THE ARCHITECT OR ENGINEER OF RECORD.
7. BUCKS SHALL EXTEND BEYOND UNIT FRAME INTERIOR FACE SO THAT FULL FRAME SUPPORT IS PROVIDED.
8. SHIM AS REQUIRED AT EACH ANCHOR LOCATION WITH LOAD BEARING SHIM. SHIM WHERE SPACE OF 1/16" OR GREATER OCCURS. MAXIMUM ALLOWABLE SHIM STACK TO BE 1/4".
9. SHIMS SHALL BE LOCATED, APPLIED AND MADE FROM MATERIALS AND THICKNESS CAPABLE OF SUSTAINING APPLICABLE LOADS.
10. WIND LOAD DURATION FACTOR Cd=1.6 WAS USED FOR WOOD ANCHOR CALCULATIONS.
11. FRAME MATERIAL: WOOD G=.46 MINIMUM SPECIFIC GRAVITY, OR COMPOSITE, OR FRAMESAVER OR FUSION FRAME.  
DOOR SKIN MATERIAL: STEEL .033" THICK (MINIMUM), FIBERGLASS .085" THICK (MINIMUM)  
SIDELITE SKIN MATERIAL: STEEL .022" THICK (MINIMUM)
12. UNITS MUST BE GLAZED PER ASTM E1300, WITH SAFETY GLAZING.
13. APPROVED IMPACT PROTECTIVE SYSTEM IS REQUIRED FOR THIS PRODUCT IN WIND BORNE DEBRIS REGIONS.

14. FOR ANCHORING THROUGH FRAME INTO WOOD FRAMING OR 2X BUCK USE #10 WOOD SCREWS WITH SUFFICIENT LENGTH TO ACHIEVE A 1 1/4" MINIMUM EMBEDMENT INTO SUBSTRATE. LOCATE ANCHORS AS SHOWN IN ELEVATIONS AND INSTALLATION DETAILS.
15. FOR ANCHORING THROUGH FRAME INTO MASONRY/CONCRETE USE 3/16" TAPCONS WITH SUFFICIENT LENGTH TO ACHIEVE A 1 3/4" MINIMUM EMBEDMENT INTO SUBSTRATE WITH 1 1/8" MINIMUM EDGE DISTANCE. LOCATE ANCHORS AS SHOWN IN ELEVATIONS AND INSTALLATION DETAILS.
16. FOR ANCHORING THROUGH FRAME INTO METAL STRUCTURE USE #8 SMS OR SELF DRILLING SCREWS WITH SUFFICIENT LENGTH TO ACHIEVE 3 THREADS MINIMUM BEYOND STRUCTURE INTERIOR WALL. LOCATE ANCHORS AS SHOWN IN ELEVATIONS AND INSTALLATION DETAILS.
17. ALL FASTENERS TO BE CORROSION RESISTANT.
18. INSTALLATION ANCHORS SHALL BE INSTALLED IN ACCORDANCE WITH ANCHOR MANUFACTURER'S INSTALLATION INSTRUCTIONS AND ANCHORS SHALL NOT BE USED IN SUBSTRATES WITH STRENGTHS LESS THAN THE MINIMUM STRENGTH SPECIFIED BELOW:  
A. WOOD: MINIMUM SPECIFIC GRAVITY OF G=0.42  
B. CONCRETE: MINIMUM COMPRESSIVE STRENGTH OF 2,000 PSI.  
C. MASONRY: HOLLOW/FILLED BLOCK PER ASTM C90 WITH Fm=2,000PSI MINIMUM.  
D. METAL STRUCTURE: STEEL 18GA (.048") FY=33KSI/FU=52KSI OR ALUMINUM 6063-T5 FU=30KSI 1/8" THICK MINIMUM
19. APPROVED CONFIGURATIONS: X, OX, XO, XX, OXO, XOO, OOX.

TABLE OF CONTENTS	
SHEET NO.	DESCRIPTION
1	NOTES
2	ELEVATION AND GLAZING DETAILS
3	APPROVED CONFIGURATIONS
4	APPROVED SLABS AND TRIMS
5 - 7	INSTALLATION DETAILS
8	COMPONENTS

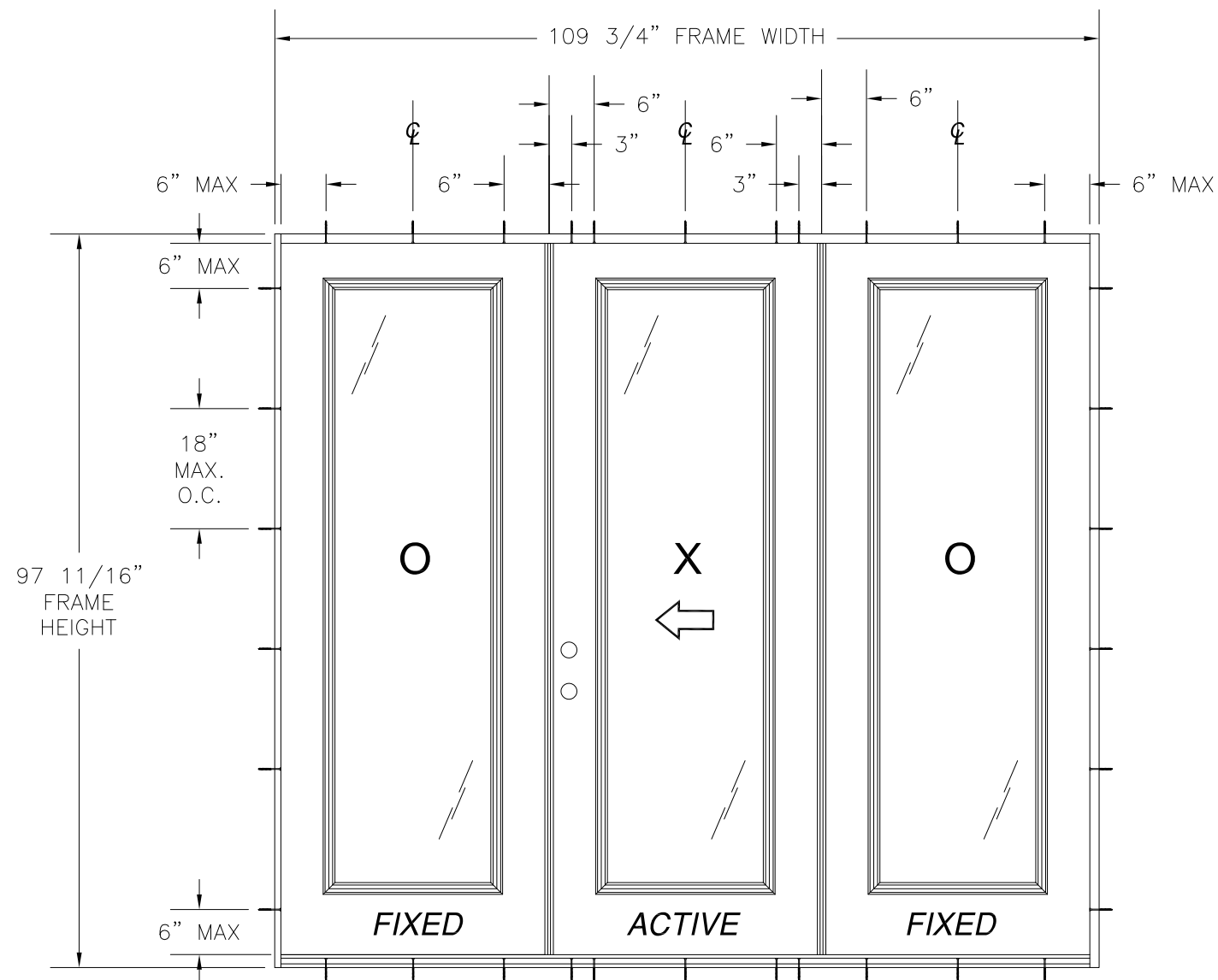
<b>PROVIA, LLC.</b> 2150 STATE ROUTE 39 WEST SUGARCREEK, OHIO 44681		
FIBERGLASS PATIO DOOR NON-IMPACT NOTES		
DRAWN: A.R.	DWG NO. 08-03785	REV -
SCALE NTS	DATE 08/18/2021	SHEET 1 OF 8
L. ROBERTO LOMAS P.E. 1432 WOODFORD RD LEWISVILLE, NC 27023 434-688-0609 rllomas@lrlomaspe.com		

SIGNED: 11/15/2021



Luis R. Lomas P.E.  
FL No.: 62514

REVISIONS			
REV	DESCRIPTION	DATE	APPROVED



- NOTES:
- PANEL SIZE: 35 3/4" X 94 15/16"
  - D.L.O.: 21 1/8" X 79 1/4"

**FIBERGLASS PATIO DOOR OXO**  
EXTERIOR VIEW

DESIGN PRESSURE RATING	IMPACT RATING
±50.0PSF	NONE
THIS SYSTEM WAS NOT TESTED FOR WATER INFILTRATION AND IS TO BE INSTALLED ONLY WHERE WATER RESISTANCE IS NOT REQUIRED	

35 3/4" X 94 15/16" PANEL SIZE SHOWN. OTHER SIZES ARE APPROVED AS LONG AS INDIVIDUAL PANEL AREA DOES NOT EXCEED 23.56 FT<sup>2</sup>

**HARDWARE SCHEDULE**

- |   |
|---|
| A. F-SERIES ASSEMBLY DOOR KNOB BY SCHLAGE.                  |
| B. B-SERIES DEADBOLT ASSEMBLY BY SCHLAGE                    |
| C. F-SERIES DEADBOLT ASSEMBLY BY SCHLAGE                    |
| D. EMTEK RESIDENTIAL GRADE DOOR HANDLE ASSEMBLY (ALTERNATE) |
| E. TRILLENIUM MULTI-POINT LOCK HANDLE ASSEMBLY (ALTERNATE)  |
| F. INSWING HURRICANE ASTRAGAL BY ENDURA                     |
| G. (3) 4" X 4" BALL BEARING HINGES BY PENROD                |
| H. (3) 4" X 4" SPRING BOMMER HINGES BY PENROD (ALTERNATE)   |

SIGNED: 11/15/2021

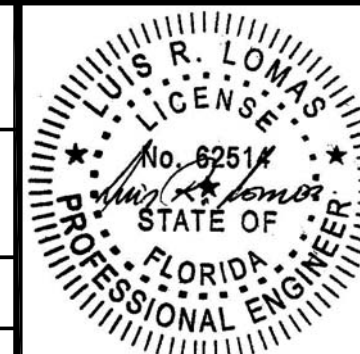
PROVIA, LLC.

2150 STATE ROUTE 39 WEST  
SUGARCREEK, OHIO 44681

FIBERGLASS PATIO DOOR  
NON-IMPACT  
ELEVATION AND GLAZING DETAILS

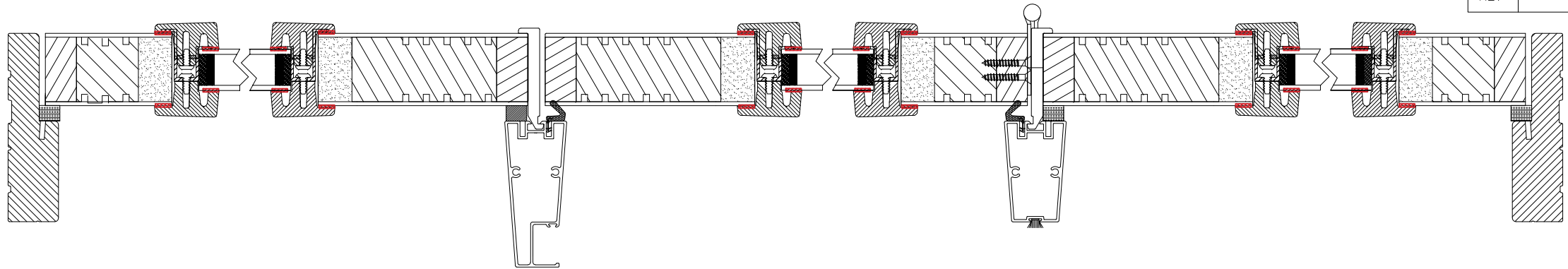
DRAWN: A.R.	DWG NO. 08-03785	REV -
SCALE NTS	DATE 08/18/2021	SHEET 2 OF 8

L. ROBERTO LOMAS P.E.  
1432 WOODFORD RD LEWISVILLE, NC 27023  
434-688-0609 rllomas@rlomaspe.com

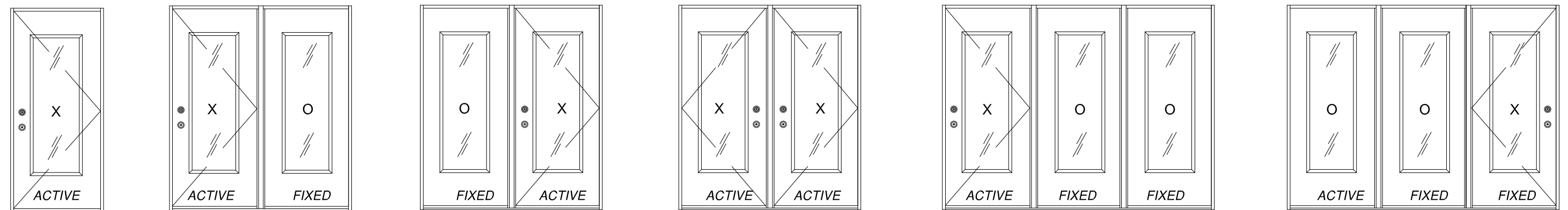


Luis R. Lomas P.E.  
FL No.: 62514

REVISIONS			
REV	DESCRIPTION	DATE	APPROVED

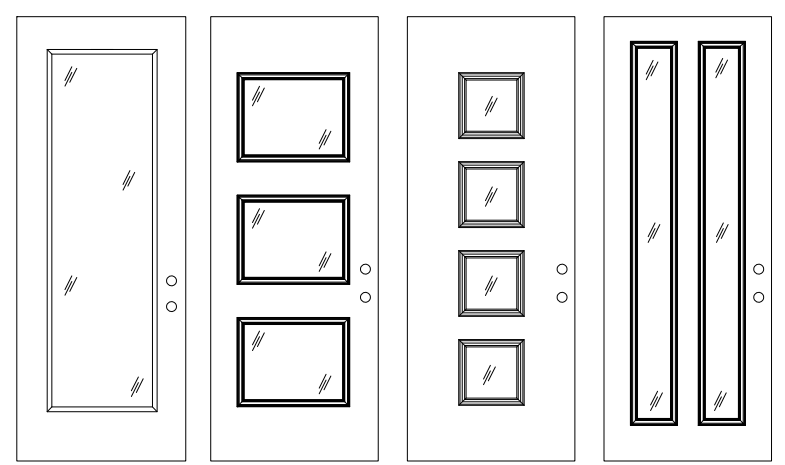


HORIZONTAL CROSS SECTION OXO



SINGLE      SINGLE W/SIDELITE      SINGLE W/SIDELITE      SINGLE W/SIDELITE      SINGLE W/SIDELITES      SINGLE W/SIDELITES

APPROVED LITE CONFIGURATIONS



FULL LITE      3 LITE      4 LITE      2 LITE

LITE CONFIGURATIONS SHOWN ARE FOR REFERENCE ONLY. MULTIPLE LITE CONFIGURATIONS ARE APPROVED AS LONG AS LITE SIZE DOES NOT EXCEED 11.62 FT<sup>2</sup>

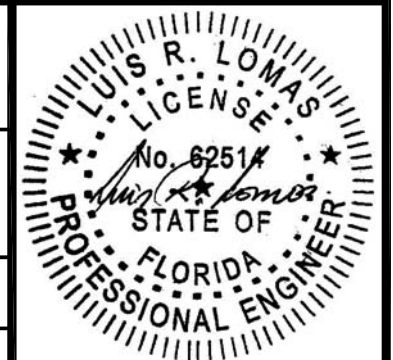
PROVIA, LLC.  
 2150 STATE ROUTE 39 WEST  
 SUGARCREEK, OHIO 44681

FIBERGLASS PATIO DOOR  
 NON-IMPACT  
 APPROVED CONFIGURATIONS, SLABS & TRIMS

DRAWN: A.R.	DWG NO. 08-03785	REV -
SCALE NTS	DATE 08/18/2021	SHEET 3 OF 8

L. ROBERTO LOMAS P.E.  
 1432 WOODFORD RD LEWISVILLE, NC 27023  
 434-688-0609 rllomas@lrlomaspe.com

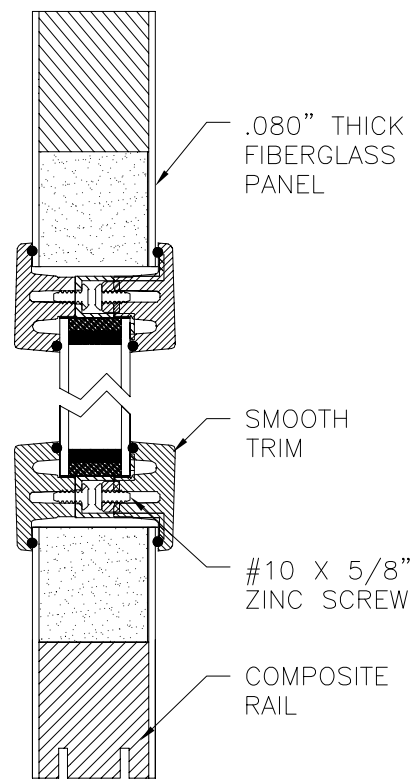
SIGNED: 11/15/2021



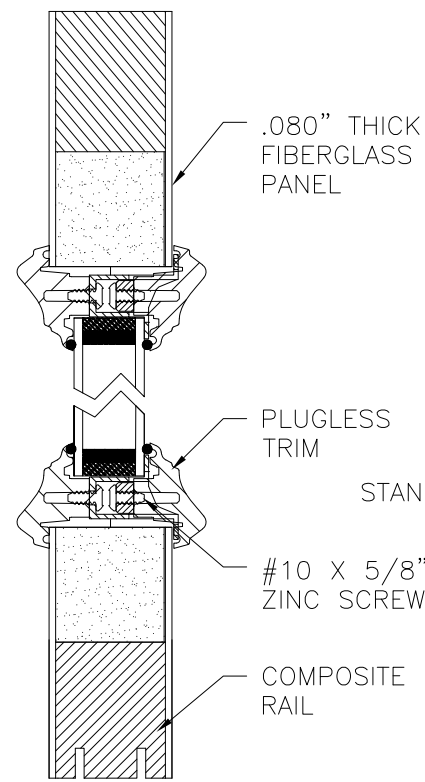
Luis R. Lomas P.E.  
 FL No.: 62514

# APPROVED SLABS AND TRIMS

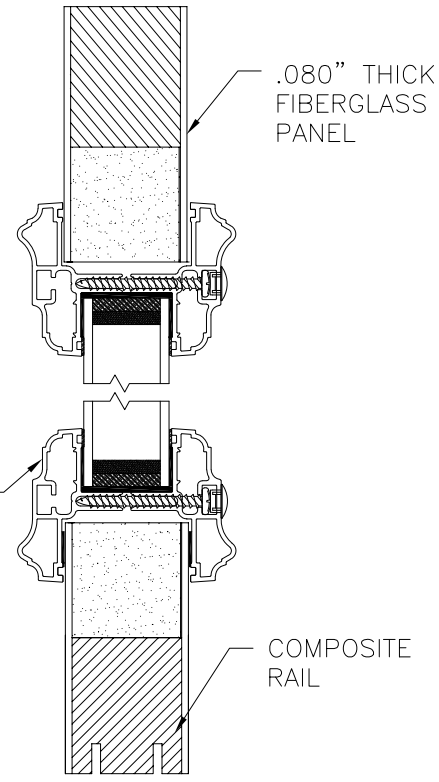
REVISIONS			
REV	DESCRIPTION	DATE	APPROVED



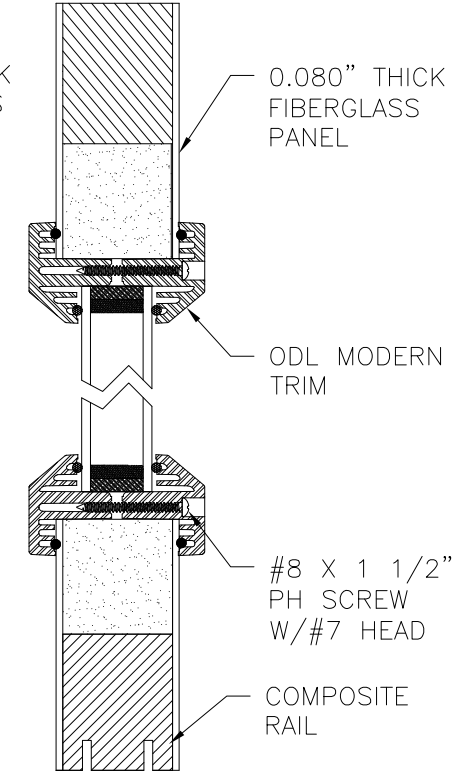
**OPTION 1**  
SMOOTH TRIM



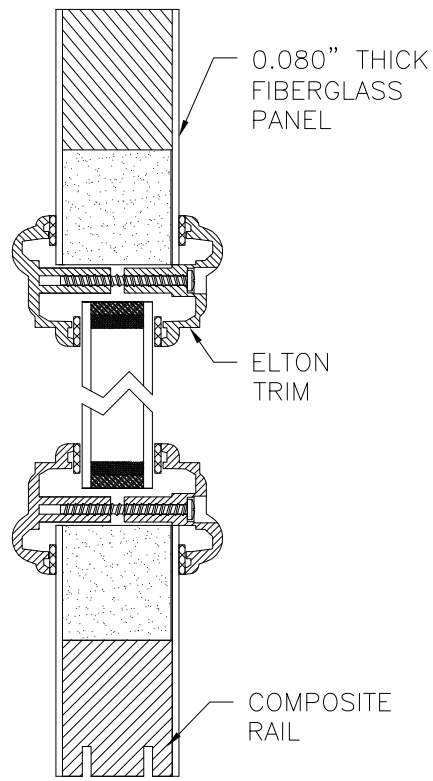
**OPTION 2**  
PLUGLESS TRIM



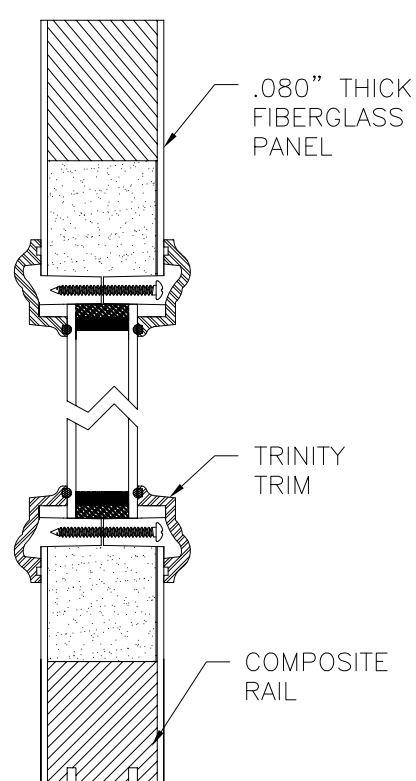
**OPTION 3**  
STANDARD TRIM



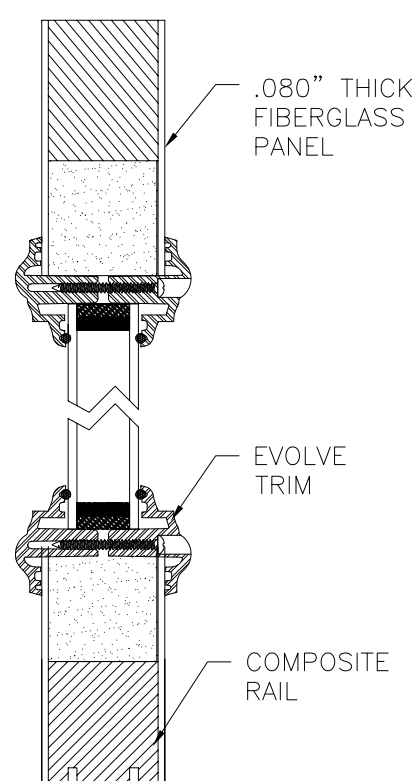
**OPTION 4**  
ODL MODERN TRIM



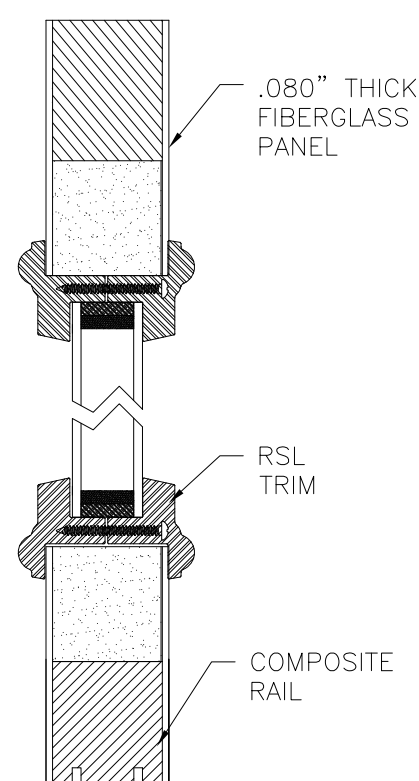
**OPTION 5**  
ELTON TRIM



**OPTION 6**  
TRINITY TRIM



**OPTION 7**  
EVOLVE TRIM



**OPTION 8**  
RSL TRIM

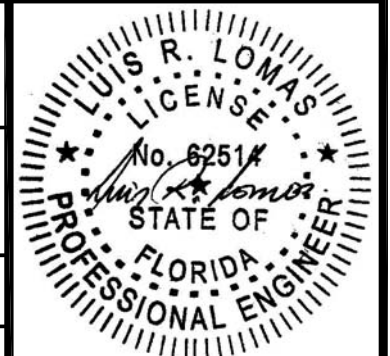
**PROVIA, LLC.**  
2150 STATE ROUTE 39 WEST  
SUGARCREEK, OHIO 44681

FIBERGLASS PATIO DOOR  
NON-IMPACT  
APPROVED CONFIGURATIONS, SLABS & TRIMS

DRAWN: A.R.	DWG NO. 08-03785	REV -
SCALE NTS	DATE 08/18/2021	SHEET 4 OF 8

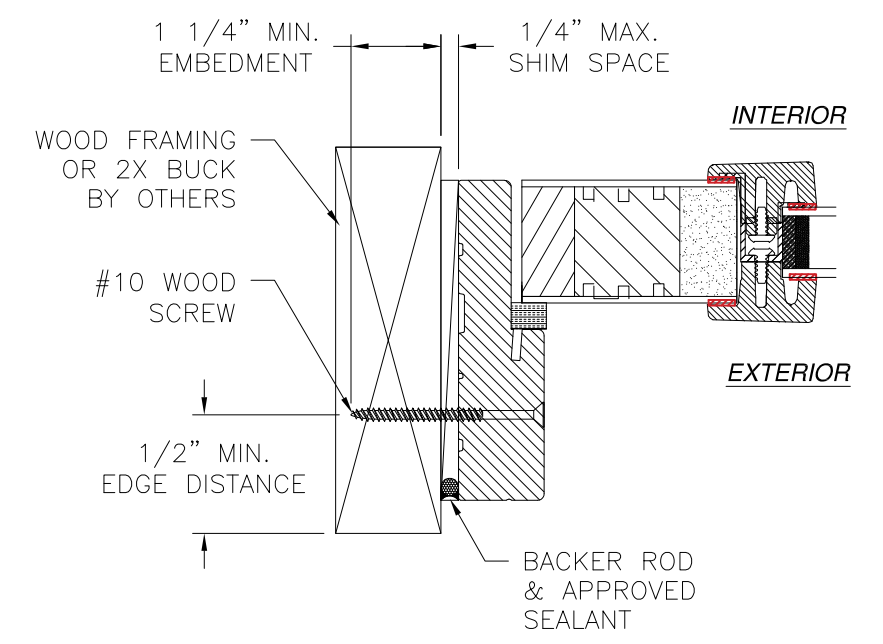
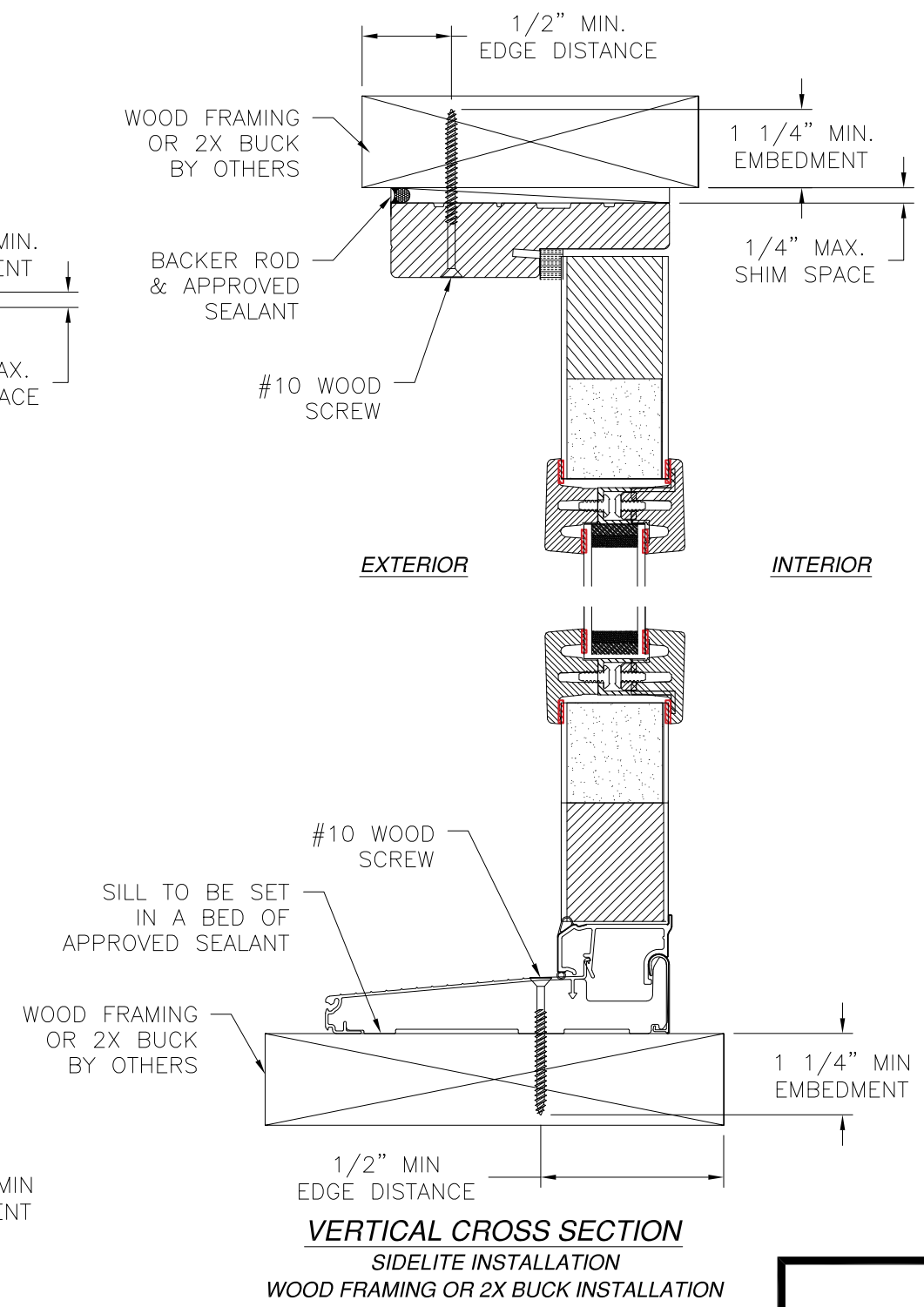
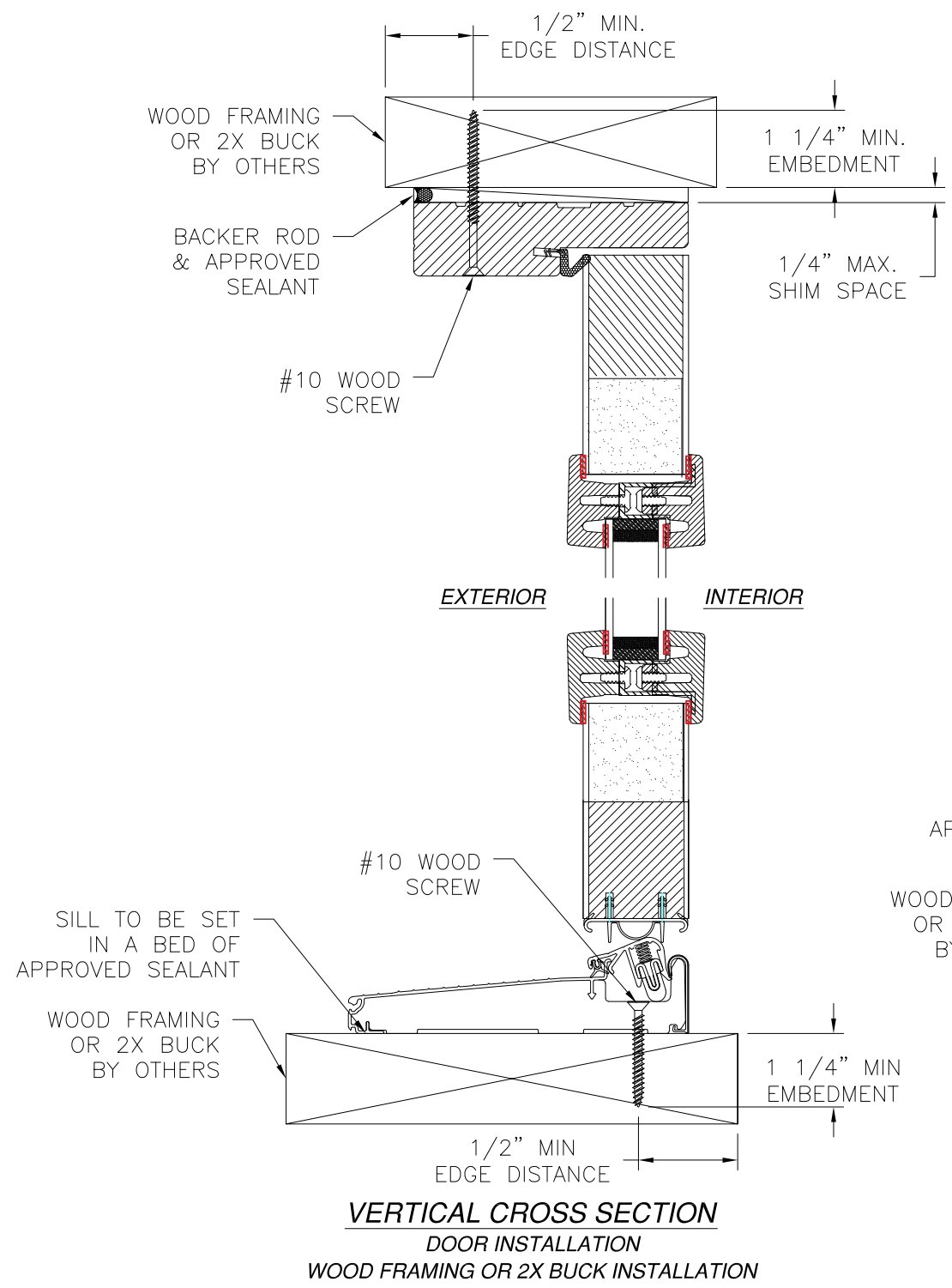
L. ROBERTO LOMAS P.E.  
1432 WOODFORD RD LEWISVILLE, NC 27023  
434-688-0609 rllomas@rlomaspe.com

SIGNED: 11/15/2021



Luis R. Lomas P.E.  
FL No.: 62514

REVISIONS			
REV	DESCRIPTION	DATE	APPROVED



**JAMB INSTALLATION DETAIL**  
WOOD FRAMING OR 2X BUCK INSTALLATION

- NOTES:**
1. INTERIOR AND EXTERIOR FINISHES, BY OTHERS, NOT SHOWN FOR CLARITY.
  2. PERIMETER AND JOINT SEALANT BY OTHERS TO BE DESIGNED IN ACCORDANCE WITH ASTM E2112
  3. INSTALLATION DETAILS WITH GLAZING TAPE SHOWN, GLAZING SEALANT SIMILAR

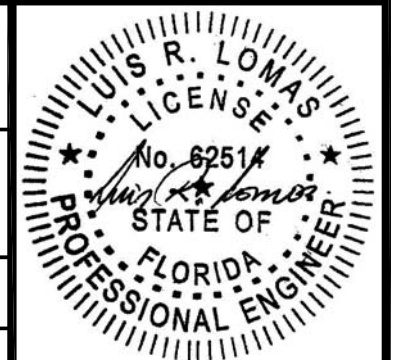
SIGNED: 11/15/2021

PROVIA, LLC.  
2150 STATE ROUTE 39 WEST  
SUGARCREEK, OHIO 44681

FIBERGLASS PATIO DOOR  
NON-IMPACT  
INSTALLATION DETAILS

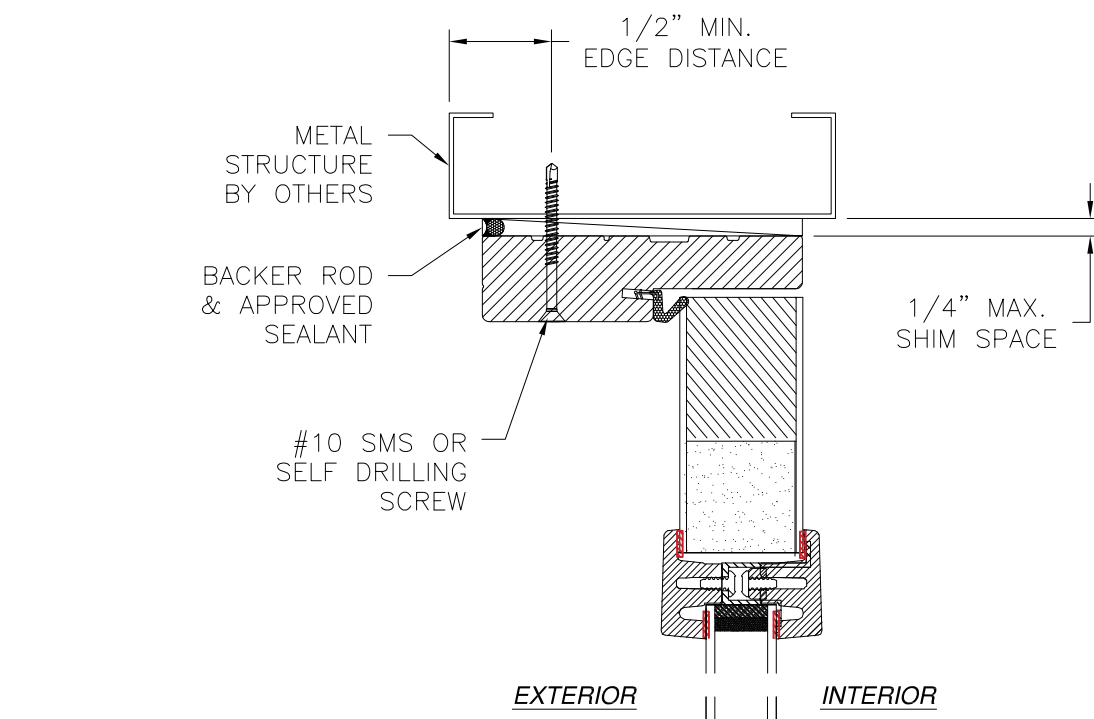
DRAWN: A.R.	DWG NO. 08-03785	REV -
SCALE NTS	DATE 08/18/2021	SHEET 5 OF 8

L. ROBERTO LOMAS P.E.  
1432 WOODFORD RD LEWISVILLE, NC 27023  
434-688-0609 rllomas@rlomaspe.com

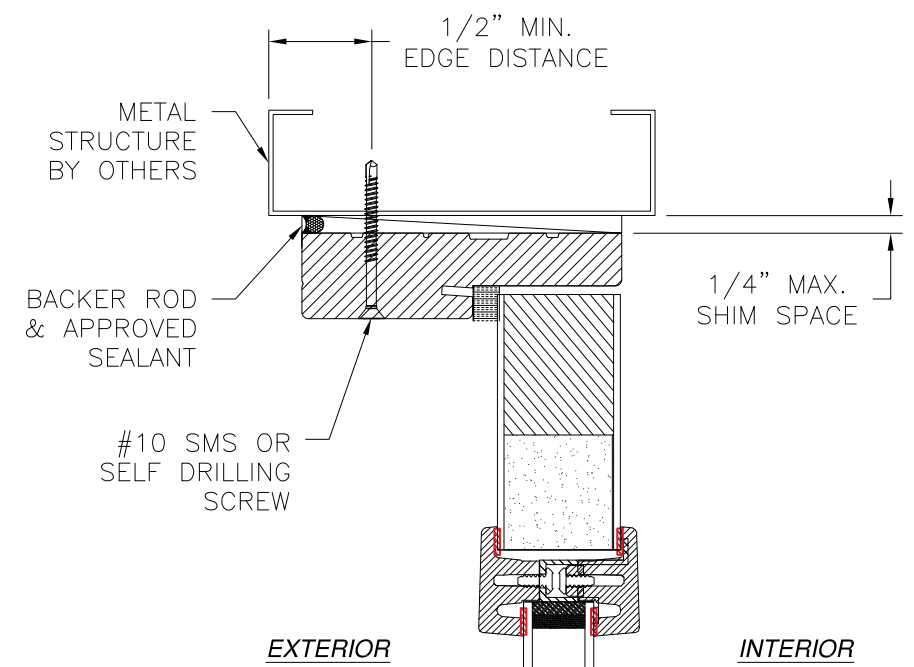


Luis R. Lomas P.E.  
FL No.: 62514

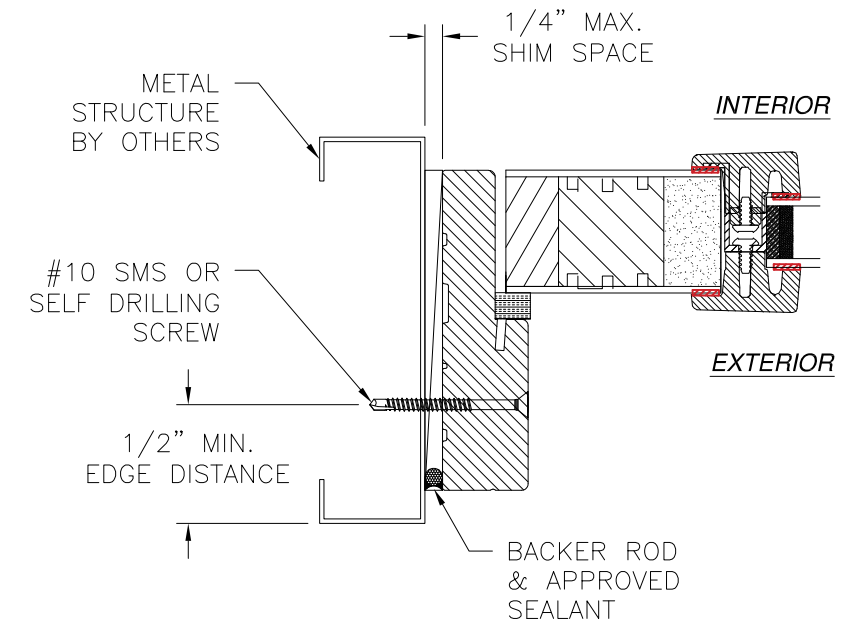
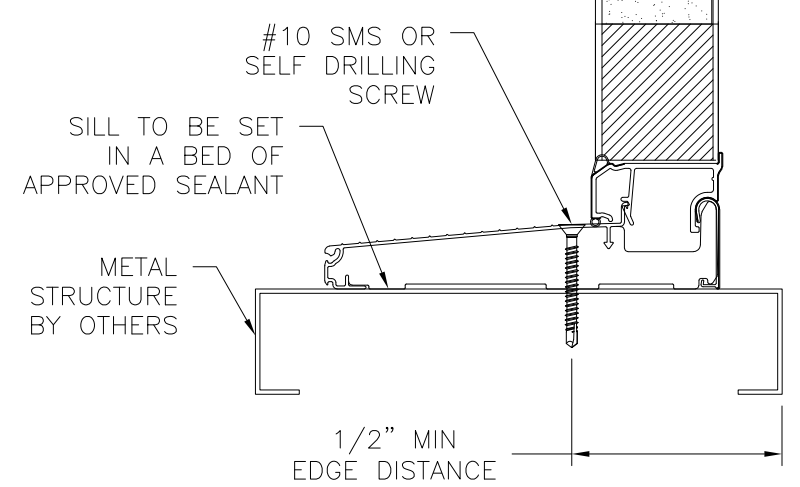
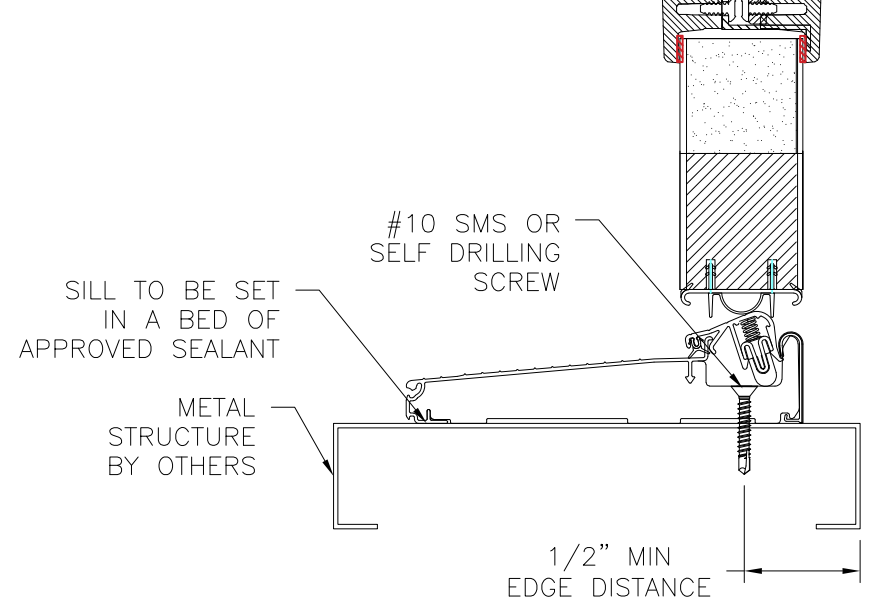
REVISIONS			
REV	DESCRIPTION	DATE	APPROVED



**VERTICAL CROSS SECTION**  
DOOR INSTALLATION  
METAL STRUCTURE INSTALLATION



**VERTICAL CROSS SECTION**  
SIDELITE INSTALLATION  
METAL STRUCTURE INSTALLATION



**JAMB INSTALLATION DETAIL**  
METAL STRUCTURE INSTALLATION

- NOTES:**
1. INTERIOR AND EXTERIOR FINISHES, BY OTHERS, NOT SHOWN FOR CLARITY.
  2. PERIMETER AND JOINT SEALANT BY OTHERS TO BE DESIGNED IN ACCORDANCE WITH ASTM E2112
  3. INSTALLATION DETAILS WITH GLAZING TAPE SHOWN, GLAZING SEALANT SIMILAR

SIGNED: 11/15/2021

PROVIA, LLC.  
2150 STATE ROUTE 39 WEST  
SUGARCREEK, OHIO 44681

FIBERGLASS PATIO DOOR  
NON-IMPACT  
INSTALLATION DETAILS

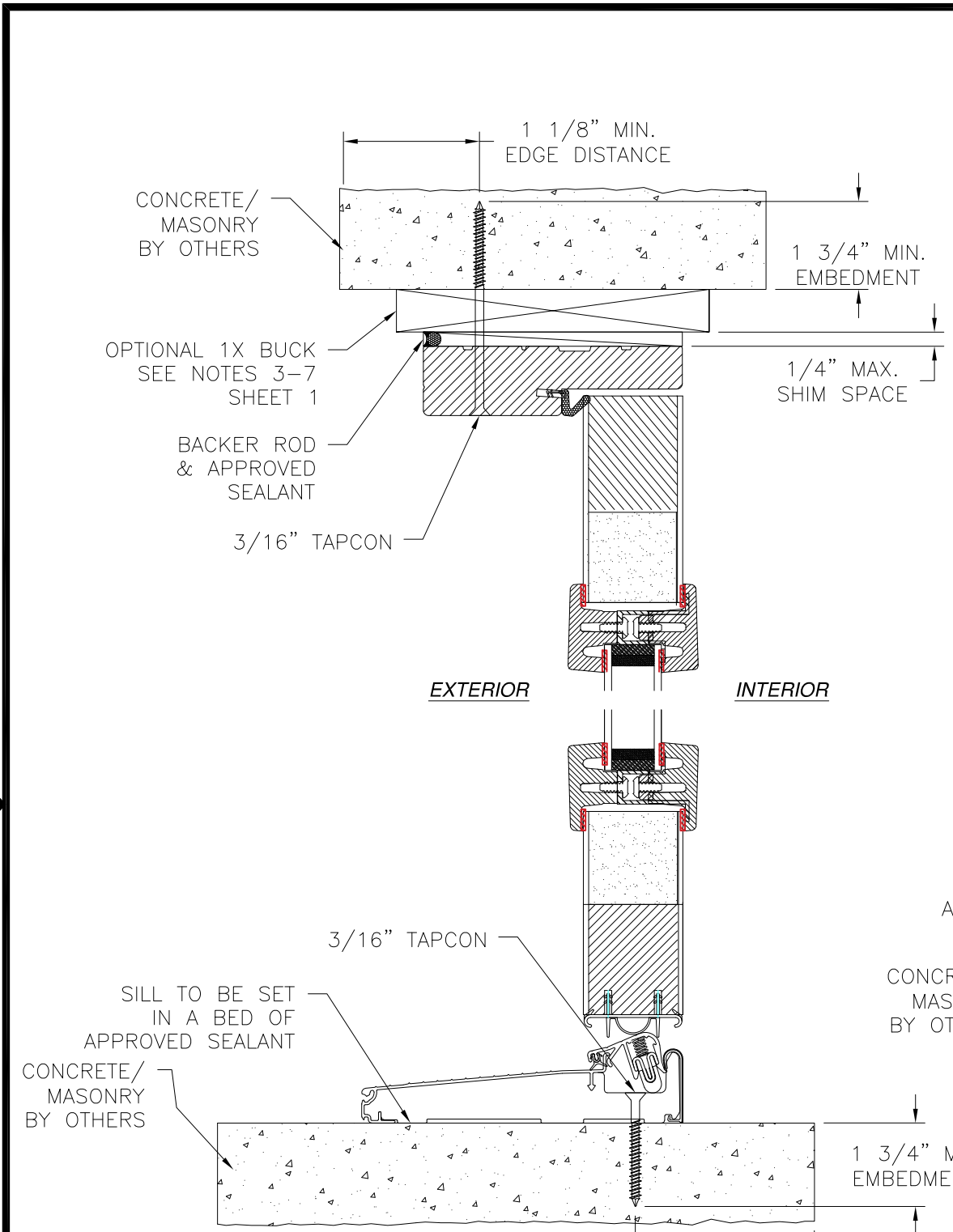
DRAWN: A.R.	DWG NO. 08-03785	REV -
SCALE NTS	DATE 08/18/2021	SHEET 6 OF 8

L. ROBERTO LOMAS P.E.  
1432 WOODFORD RD LEWISVILLE, NC 27023  
434-688-0609 rllomas@rlomaspe.com

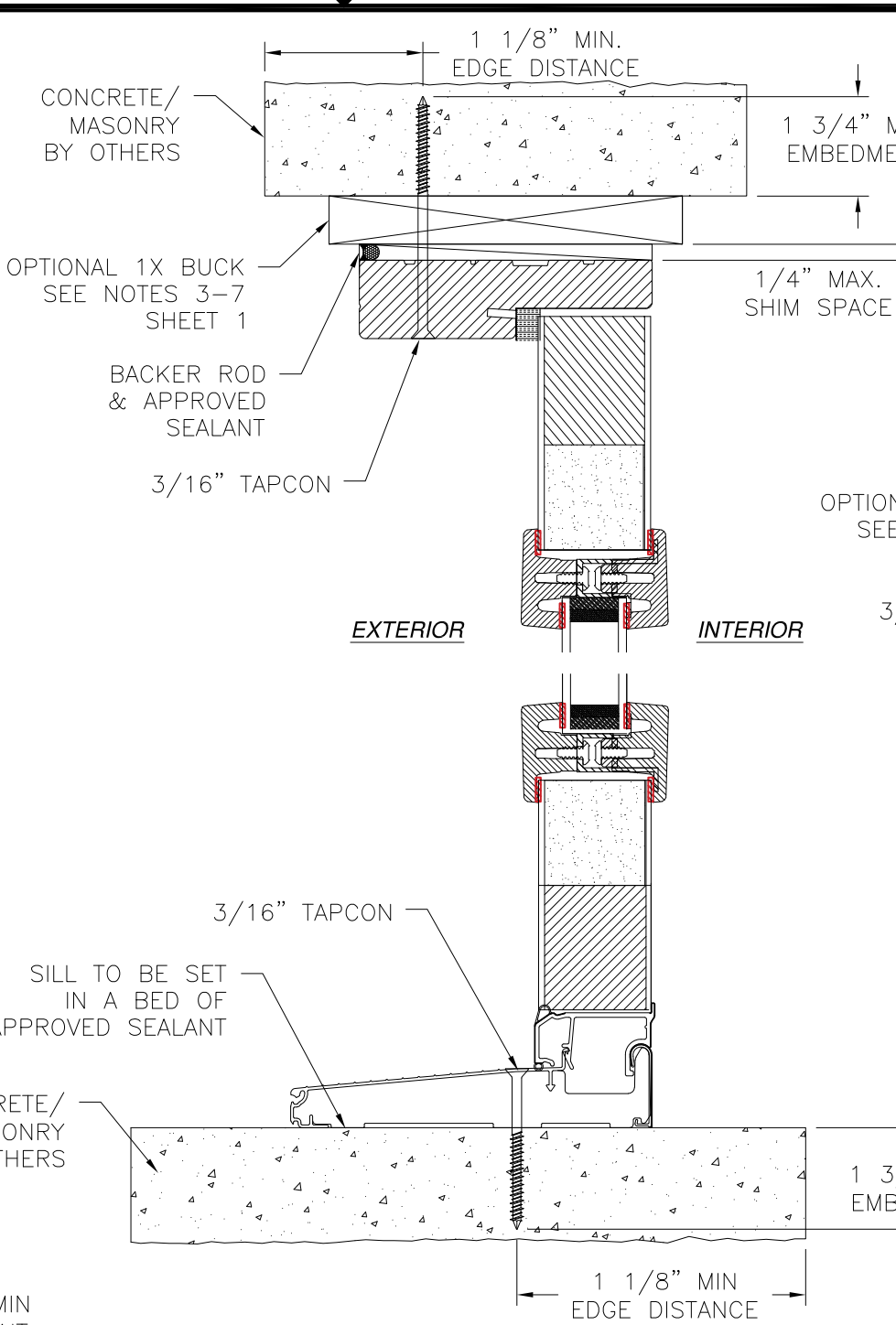


Luis R. Lomas P.E.  
FL No.: 62514

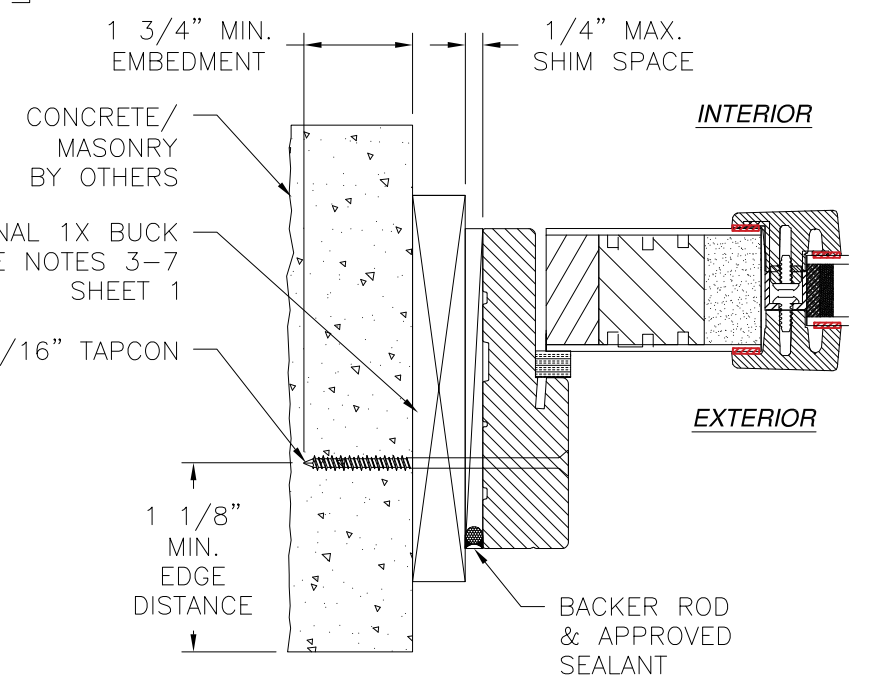
REVISIONS			
REV	DESCRIPTION	DATE	APPROVED



**VERTICAL CROSS SECTION**  
DOOR INSTALLATION  
CONCRETE/MASONRY INSTALLATION



**VERTICAL CROSS SECTION**  
SIDELITE INSTALLATION  
CONCRETE/MASONRY INSTALLATION



**JAMB INSTALLATION DETAIL**  
CONCRETE/MASONRY INSTALLATION

- NOTES:**
1. INTERIOR AND EXTERIOR FINISHES, BY OTHERS, NOT SHOWN FOR CLARITY.
  2. PERIMETER AND JOINT SEALANT BY OTHERS TO BE DESIGNED IN ACCORDANCE WITH ASTM E2112
  3. INSTALLATION DETAILS WITH GLAZING TAPE SHOWN, GLAZING SEALANT SIMILAR

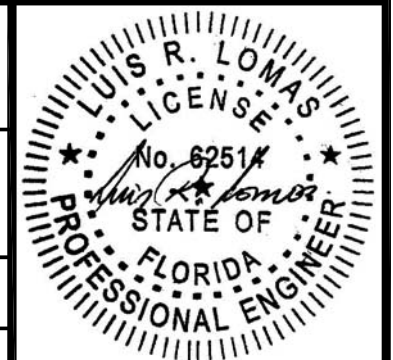
SIGNED: 11/15/2021

PROVIA, LLC.  
2150 STATE ROUTE 39 WEST  
SUGARCREEK, OHIO 44681

FIBERGLASS PATIO DOOR  
NON-IMPACT  
INSTALLATION DETAILS

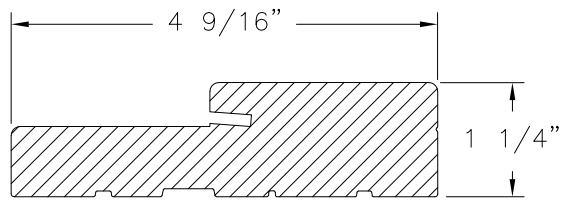
DRAWN: A.R.	DWG NO. 08-03785	REV -
SCALE NTS	DATE 08/18/2021	SHEET 7 OF 8

L. ROBERTO LOMAS P.E.  
1432 WOODFORD RD LEWISVILLE, NC 27023  
434-688-0609 rllomas@rlomaspe.com

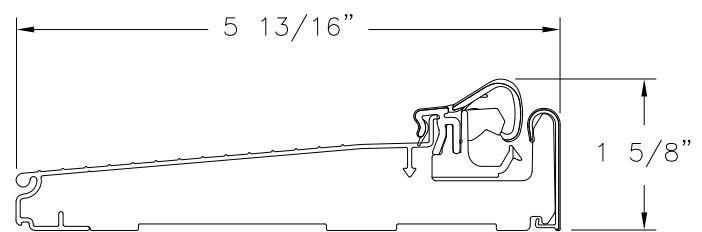


Luis R. Lomas P.E.  
FL No.: 62514

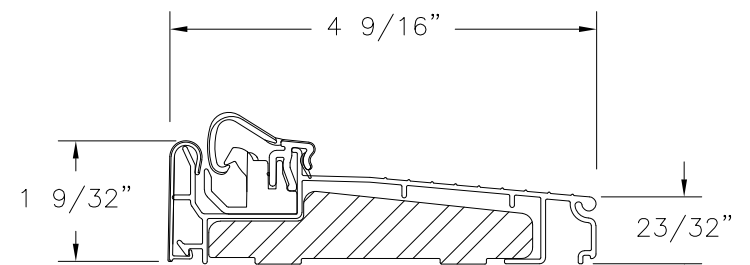
REVISIONS			
REV	DESCRIPTION	DATE	APPROVED



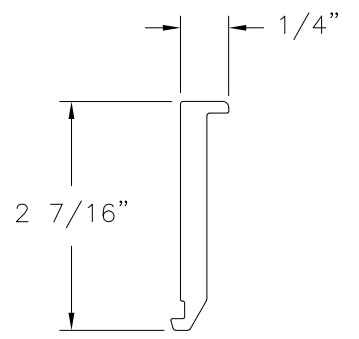
**FRAMESAVER**  
COMPOSITE



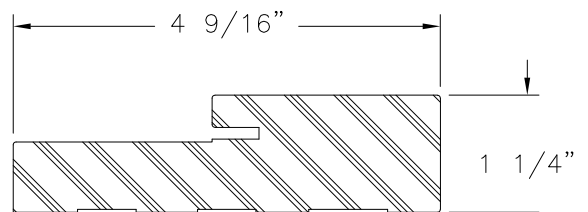
**ENDURA ZAC THRESHOLD W/**  
**ARTICULATING CAP**



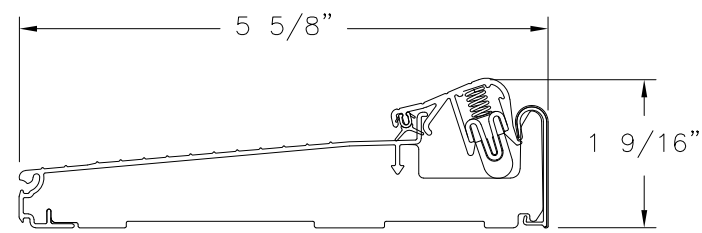
**INSWING SILL ZAACL4565**



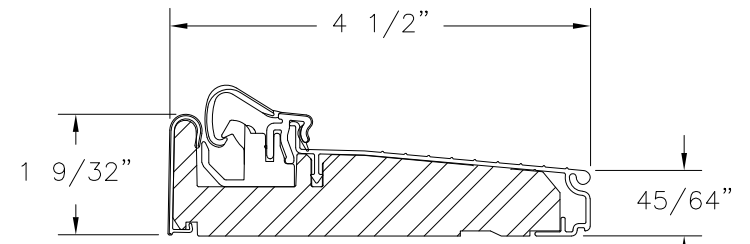
**MULLION SPACER**  
PVC



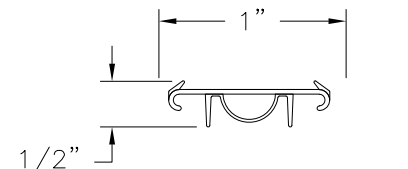
**FRAME**  
COMPOSITE



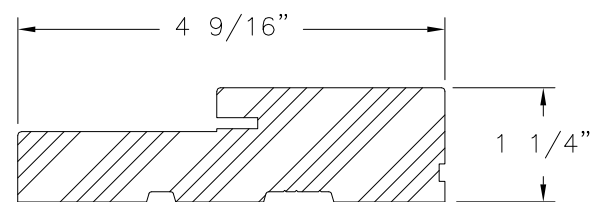
**ZAC THRESHOLD W/**  
**ARTICULATING CAP**



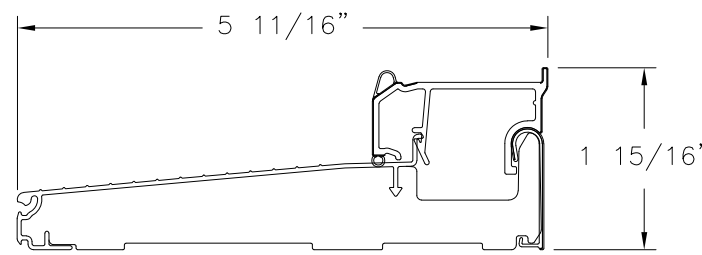
**INSWING SILL ZAC4565F**



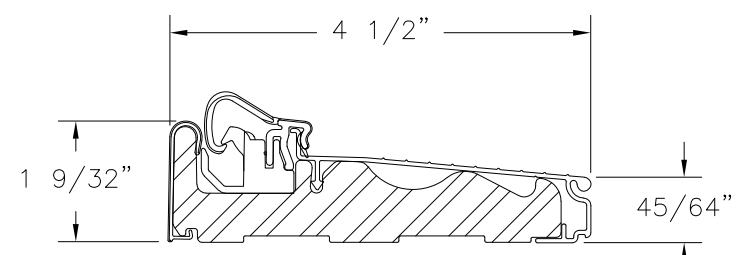
**ENDURA ZAC SWEP**  
WOOD G.46 MIN.



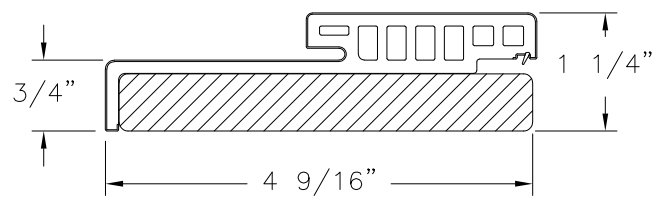
**FRAME**  
WOOD G.46 MIN.



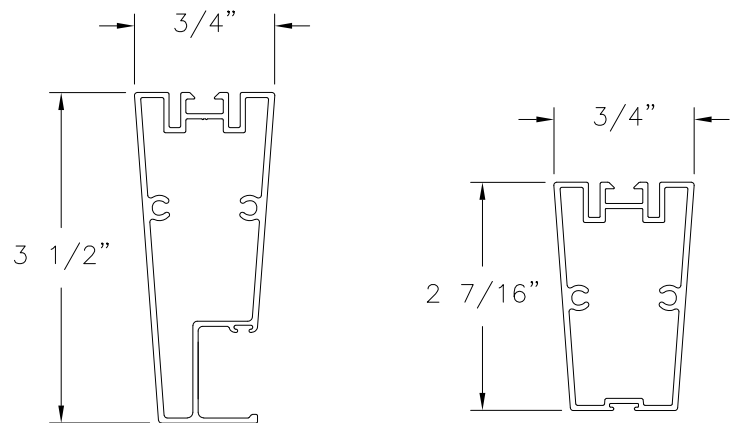
**ZAC THRESHOLD W/90 SERIES**  
**I/S SIDELITE SILL CAP**



**INSWING SILL ZACLH4565**

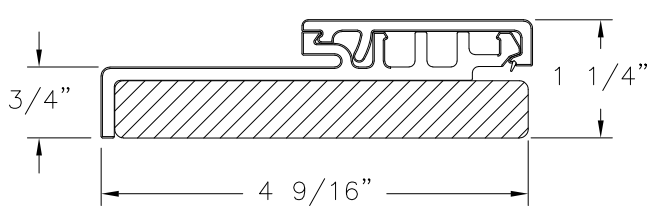


**HYBRID HEAD**  
WOOD/COMPOSITE



**MULLION**  
ALUMINUM

**MULLION**  
ALUMINUM



**HYBRID JAMB**  
WOOD/COMPOSITE

SIGNED: 11/15/2021

PROVIA, LLC.  
2150 STATE ROUTE 39 WEST  
SUGARCREEK, OHIO 44681

FIBERGLASS PATIO DOOR  
NON-IMPACT  
COMPONENTS

DRAWN: A.R.	DWG NO. 08-03785	REV -
SCALE NTS	DATE 08/18/2021	SHEET 8 OF 8

L. ROBERTO LOMAS P.E.  
1432 WOODFORD RD LEWISVILLE, NC 27023  
434-688-0609 rllomas@rlomaspe.com



Luis R. Lomas P.E.  
FL No.: 62514